

Condensing Units



Silent condensing units

EUC Series

with SKADI
compressors

SKADI



The compact size of these condensing units allows for quick and easy installation.

The EUC design ensures wide operation, especially in high temperature environments.

EUC condensing units can be equipped with SCROLL or reciprocating compressors for commercial refrigeration in high, medium and low pressure conditions, covering a wide range.

The range includes models suitable for all fluorinated refrigerants.

General characteristics:

EUC condensing units are designed for high, medium and low temperature commercial refrigeration.

Low noise level, and easy maintenance and installation.

All control components are of high quality and recognized brands.

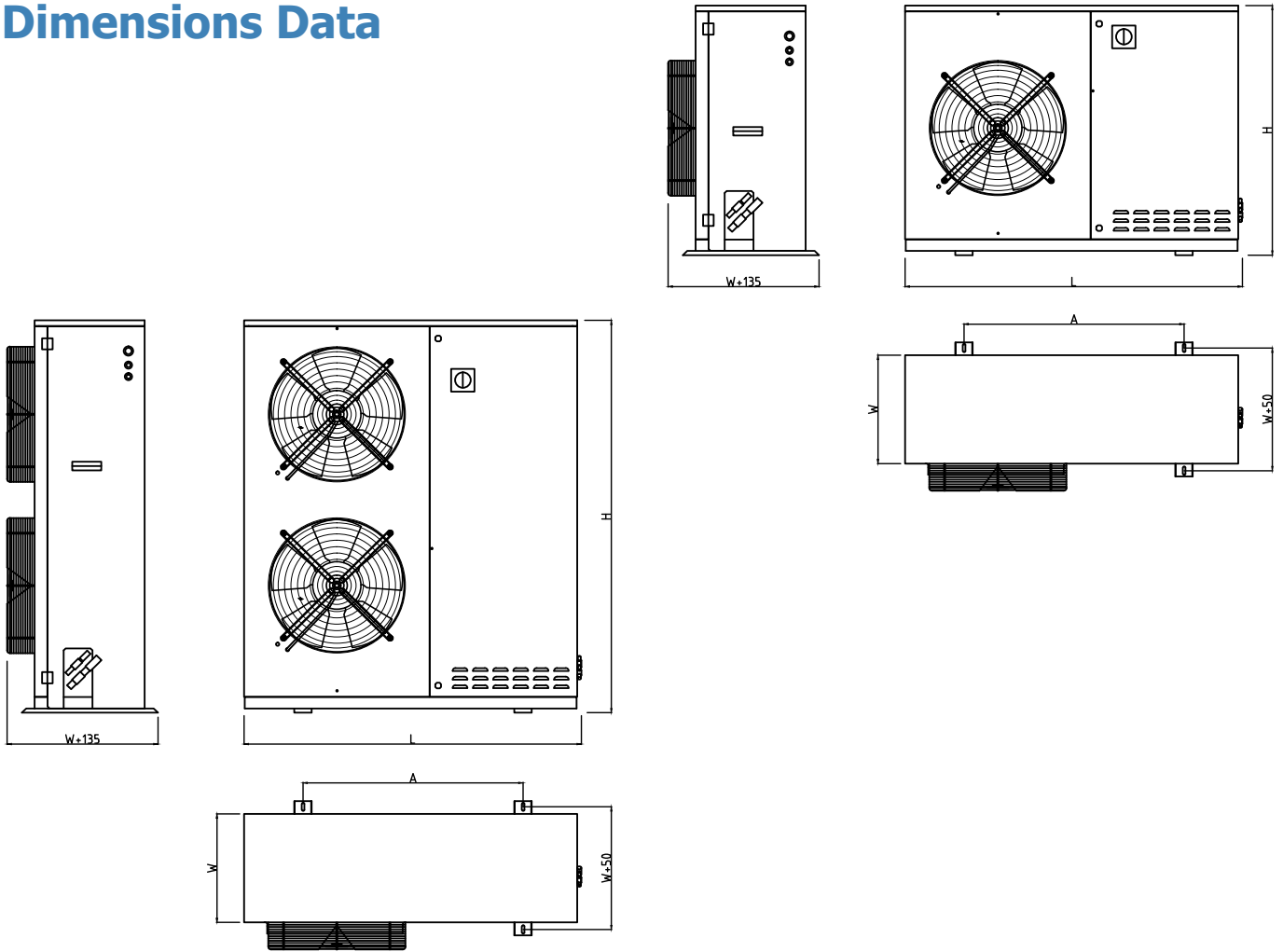
Accessories included in the unit:

- Fin package with anti-corrosion treatment
- Tropicalized condenser
- Soundproof condensing unit
- Scroll or hermetic piston compressor
- Double pressure switch with automatic reset. High and low pressure.
- Solenoid valve in liquid line
- Liquid in-line filter drier
- Liquid sight glass
- Liquid container
- Service valves in liquid and suction line
- Axial motor fan

Optional gadgets:

- Condensation control
- Oil separator
- Crankcase resistance
- Electrical control panel
- Suction accumulator

Dimensions Data



Model	Condensing Unit Dimensions			
	L (mm)	W (mm)	A (mm)	H (mm)
EUC 4001...	1.000	380	550	525
EUC 4501...	1.000	380	550	675
EUC 4501P...	1.150	380	646	875
EUC 5001...	1.150	380	646	975
EUC 5002...	1.200	385	686	1.275
EUC 5002P...	1.400	430	886	1.275

Nomenclature

Series	Fans	Power	Temperature	Engine
EUC	4501	2,5	MT	
Name	Ø mm.	N.º	HP	M: Medium & High L: Low T: Threephase S: Monophase

EUC Series



Electrical data



Medium temperature with compressor SKADI

Model	Compressor					Condensator Surface m ²	Axial fan motor					Noise Dist=10m dBa	Tube accessories		NW Kg
	CV	Type	Engine electrical data				N.ºxØ	Poles	Voltage	Absorption			D	S	
			Voltage	W	A					W	A				
EUC 4501 2 MS	2	SR38B-B1-101	220/1/50	1.500	6,82	20,10	1x450	6	220/1/50	167	0,77	45	3/8"	7/8"	63
EUC 4501 2 MT	2	SR38B-A1-101	380/3/50	1.500	3,95	20,10	1x450	6	220/1/50	167	0,77	45	3/8"	7/8"	63
EUC 4501 2,5 MS	2,5	SR45B-B1-101	220/1/50	1.875	8,52	27,45	1x450	6	220/1/50	167	0,77	45	3/8"	7/8"	76
EUC 4501 2,5 MT	2,5	SR45B-A1-101	380/3/50	1.875	4,93	27,45	1x450	6	220/1/50	167	0,77	45	3/8"	7/8"	76
EUC 5001 3 MS	3	SR52B-B1-101	220/1/50	2.250	10,23	30,88	1x500	6	220/1/50	272	1,28	48	1/2"	7/8"	78
EUC 5001 3 MT	3	SR52B-A1-101	380/3/50	2.250	5,92	30,88	1x500	6	220/1/50	272	1,28	48	1/2"	7/8"	78
EUC 5001 4 MT	4	SR72B-A1-101	380/3/50	3.000	7,89	41,18	1x500	6	220/1/50	272	1,28	49	1/2"	7/8"	90
EUC 5002 5 MT	5	SR91B-A1-101	380/3/50	3.750	9,69	51,47	2x500	6	220/1/50	544	2,56	51	1/2"	7/8"	92
EUC 5002 6 MT	6	SR110B-A1-101	380/3/50	4.500	11,84	68,63	2x500	6	220/1/50	544	2,56	52	1/2"	7/8"	96
EUC 5002 7 MT	7	SR125B-A1-101	380/3/50	5.250	13,82	68,63	2x500	6	220/1/50	544	2,56	55	1/2"	7/8"	97
EUC 5002 8 MT	8	SR135B-A1-101	380/3/50	6.000	15,80	88,23	2x500	4	220/1/50	788	3,92	55	5/8"	1 1/8"	121
EUC 5002 9 MT	9	SR162B-A1-101	380/3/50	6.750	17,50	95,00	2x500	4	220/1/50	788	3,92	55	5/8"	1 1/8"	127
EUC 5002 10 MT	10	SR190B-A1-101	380/3/50	7.500	19,74	110,29	2x500	4	220/1/50	788	3,92	58	5/8"	1 1/8"	130

Low temperature with compressor SKADI

Model	Compressor					Condensator Surface m ²	Axial fan motor					Noise Dist=10m dBa	Tube accessories		NW Kg
	CV	Type	Engine electrical data				N.ºxØ	Poles	Voltage	Absorption			D	S	
			Voltage	W	A					W	A				
EUC 4501 2 LS	2	SFL15B-B1-105	220/1/50	1.500	6,82	20,10	1x450	6	220/1/50	167	0,77	49	3/8"	7/8"	63
EUC 4501 2 LT	2	SFL15B-A1-105	380/3/50	1.500	3,95	20,10	1x450	6	220/1/50	167	0,77	49	3/8"	7/8"	63
EUC 4501 2,5 LS	2,5	SFL17B-B1-105	220/1/50	1.875	8,52	27,45	1x450	6	220/1/50	167	0,77	51	3/8"	7/8"	76
EUC 4501 2,5 LT	2,5	SFL17B-A1-105	380/3/50	1.875	4,93	27,45	1x450	6	220/1/50	167	0,77	51	3/8"	7/8"	76
EUC 5001 3 LT	3	SFL20B-B1-105	220/1/50	2.250	5,92	30,88	1x500	6	220/1/50	272	1,28	54	1/2"	7/8"	78
EUC 5001 3 LT	3	SFL20B-A1-105	380/3/50	2.250	5,92	30,88	1x500	6	220/1/50	272	1,28	54	1/2"	7/8"	78
EUC 5001 4 LT	4	SFL28B-A1-105	380/3/50	3.000	7,95	41,18	1x500	6	220/1/50	272	1,28	57	1/2"	7/8"	90
EUC 5002 5 LT	5	SFL35B-A1-105	380/3/50	3.750	9,69	51,47	2x500	6	220/1/50	544	2,56	57	1/2"	7/8"	92
EUC 5002 6 LT	6	SFL42B-A1-105	380/3/50	4.500	11,84	68,63	2x500	6	220/1/50	544	2,56	59	1/2"	7/8"	96

IMPORTANT: From model 500 onwards, inclusive, includes liquid and oil separator.

Note:

Test conditions:
 Room temperature: 32 °C
 Condensation temperature: 45 °C
 Subcooling: 6K.

Noise levels refer to the average value recorded during 24 hours of operation with fans, controlled speed, sound absorption with standard cabinet and compressor jacket (optional items).

EUC Series

Performance and price table

R-449A



SKADI



Medium temperature with compressor SKADI

Model	Compressor		Performance (W) - Evaporation Temperature (°C)						Precio €
	CV	Tipo	+5 °C	0 °C	-5 °C	-10 °C	-15 °C	-20 °C	
EUC 4501 2 MS	2	SR38B-B1-101	5.810	4.900	4.120	3.450	2.870	2.360	—
EUC 4501 2 MT	2	SR38B-A1-101	6.060	5.110	4.300	3.600	2.990	2.460	—
EUC 4501 2,5 MS	2,5	SR45B-B1-101	7.090	5.980	5.030	4.210	3.500	2.890	—
EUC 4501 2,5 MT	2,5	SR45B-A1-101	7.130	6.020	5.060	4.240	3.520	2.900	—
EUC 5001 3 MS	3	SR52B-B1-101	8.280	6.980	5.870	4.920	4.090	3.370	—
EUC 5001 3 MT	3	SR52B-A1-101	8.250	6.950	5.850	4.900	4.070	3.350	—
EUC 5001 4 MT	4	SR72B-A1-101	12.120	10.220	8.600	7.200	5.980	4.930	—
EUC 5002 5 MT	5	SR91B-A1-101	14.470	12.230	10.270	8.560	7.080	5.800	—
EUC 5002 6 MT	6	SR110B-A1-101	17.680	14.910	12.540	10.500	7.730	7.190	—
EUC 5002 7 MT	7	SR125B-A1-101	19.140	16.190	13.620	11.370	9.410	7.710	—
EUC 5002 8 MT	8	SR135B-A1-101	23.140	18.360	15.450	12.930	10.750	8.860	—
EUC 5002 9 MT	9	SR162B-A1-101	21.770	22.100	18.590	15.560	12.940	10.660	—
EUC 5002 10 MT	10	SR190B-A1-101	26.200	25.700	21.620	18.100	15.040	12.390	—

Low temperature with compressor SKADI

Model	Compressor		Performance (W) - Evaporation Temperature (°C)					Price €
	CV	Tipo	-10 °C	-15 °C	-20 °C	-25 °C	-30 °C	
EUC 4501 2 LS	2	SFL15B-B1-105	3.500	2.940	2.440	2.000	1.620	—
EUC 4501 2 LT	2	SFL15B-A1-105	3.500	2.940	2.440	2.000	1.620	—
EUC 4501 2,5 LS	2,5	SFL17B-B1-105	4.150	3.480	2.890	2.370	1.920	—
EUC 4501 2,5 LT	2,5	SFL17B-A1-105	4.150	3.480	2.890	2.370	1.920	—
EUC 5001 3 LT	3	SFL20B-B1-105	4.860	4.080	3.390	2.780	2.250	—
EUC 5001 3 LT	3	SFL20B-A1-105	4.860	4.080	3.390	2.780	2.250	—
EUC 5001 4 LT	4	SFL28B-A1-105	6.590	5.530	4.590	3.760	3.050	—
EUC 5002 5 LT	5	SFL35B-A1-105	8.320	6.980	5.790	4.750	3.850	—
EUC 5002 6 LT	6	SFL42B-A1-105	9.940	8.340	6.920	5.680	4.600	—

Note:

Test conditions:
 Room temperature: 32 °C
 Condensation temperature: 45 °C
 Subcooling: 6K.

Noise levels refer to the average value recorded during 24 hours of operation with fans, controlled speed, sound absorption with standard cabinet and compressor jacket (optional items).

Silent condensing units

EUC PLUS Series

with SKADI
compressors



SKADI

General characteristics:

EUC PLUS condensing units are designed for high, medium and low temperature refrigeration.

Low noise level, and easy maintenance and installation.

All control components are of high quality and recognized brands.

All condensing units comply with pressure equipment directives 97/23/EC (P.E.D.)

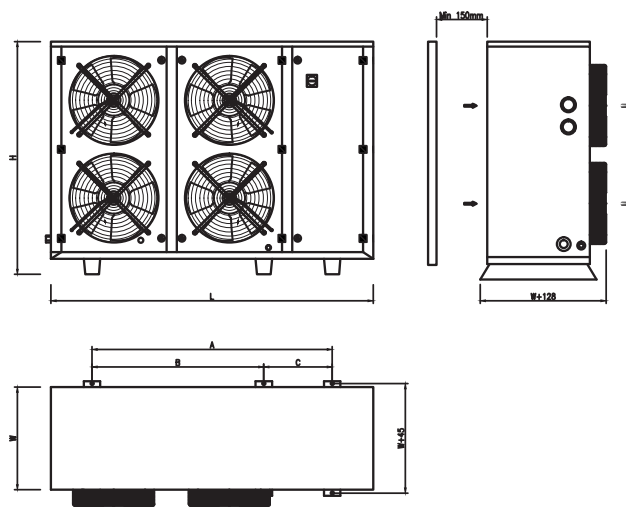
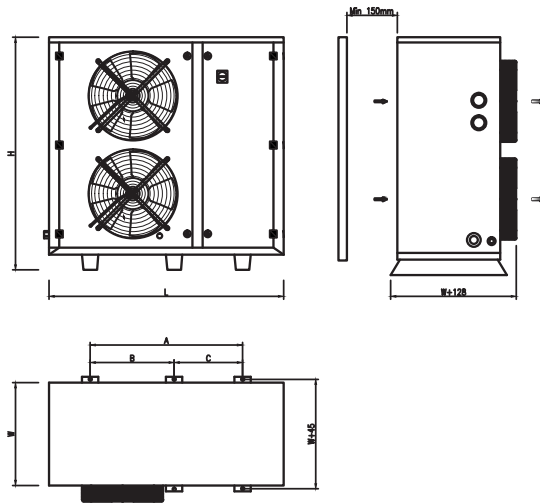
Accessories included in the unit:

- Fin package with anti-corrosion treatment
- Tropicalized condenser
- Semi-hermetic piston compressor
- Soundproof condensing unit
- Double pressure switch with automatic reset
- Solenoid valve in liquid line
- Liquid in-line filter drier
- Liquid sight glass
- Liquid container
- Approved safety valve
- Liquid separator
- Oil separator
- Electrical control panel
- Anti-vibrators

Optional gadgets:

- Condensation control
- High pressure fans
- Differential oil pressure switch
- Phase checker

Dimensions Data



Model	Condensing unit dimensions					
	L (mm)	W (mm)	A (mm)	B (mm)	B (mm)	H (mm)
EUC PLUS 5001...	1.500	655	880	–	–	960
EUC PLUS 5002...	1.720	805	1.100	620	480	1.560
EUC PLUS 5004...	2.200	805	1.580	1.100	480	1.560

Nomenclature

Series	Fans	Power	Temperature
EUC PLUS	5002	10	ML
Name	Ø mm.	N.º	HP
			ML: Medium/Low HL: High/Low

EUC PLUS Series

Electrical data

High, Medium and Low temperature
with compressor SKADI

Refrigerant R-449A



SKADI



Model	Compressor						Cond. (kW)	Axial fan motor					Noise Dist=10m dBa	Accessories tube		NW Kg	
	CV	Type	Engine electrical data			Disp. m ³ /h		N.ºxØ	m ³ /h	Poles	Voltage	Absortion		D	A		
			Voltage	W	A						W	A					
EUC PLUS 5001 3 ML	3	SP 03418X ML	400/3/50	2.250	5,63	18	21	1x500	4.750	4	400/3/50	277	0,95	70	1/2"	7/8"	122
EUC PLUS 4502 5 ML	5	SP 05427X ML	400/3/50	3.750	9,38	27	29	2x450	4.750	4	220/1/50	460	1,3	68	1/2"	7/8"	156
EUC PLUS 5002 7 HL	7	SP 07427X HL	400/3/50	5.250	13,15	27	29	2x500	8.000	4	400/3/50	544	1,9	70	5/8"	1 1/8"	169
EUC PLUS 5002 6 ML	6	SP 06433X ML	400/3/50	4.500	11,25	33	35	2x500	9.500	4	400/3/50	544	1,9	70	5/8"	1 1/8"	171
EUC PLUS 5002 6 ML	9	SP 09433X HL	400/3/50	6.750	16,9	33	35	2x500	9.500	4	400/3/50	544	1,9	70	5/8"	1 1/8"	171
EUC PLUS 5002 10 HL	6	SP 06434X ML	400/3/50	4.500	11,25	24	37	2x500	9.500	4	400/3/50	544	1,9	70	5/8"	1 1/8"	209
EUC PLUS 5002 8 ML	10	SP 10434X HL	400/3/50	7.500	18,75	34	37	2x500	9.500	4	400/3/50	544	1,9	70	5/8"	1 1/8"	219
EUC PLUS 5002 12 HL	8	SP 08441X ML	400/3/50	6.000	15	41	45	2x500	9.500	4	400/3/50	544	1,9	70	7/8"	1 3/8"	214
EUC PLUS 5002 10 ML	12	SP 12441X HL	400/3/50	9.000	22,5	41	45	2x500	9.500	4	400/3/50	544	1,9	70	7/8"	1 3/8"	224
EUC PLUS 5004 15 HL	10	SP 10448X ML	400/3/50	7.500	18,75	48	51	2x500	9.500	4	400/3/50	544	1,9	70	7/8"	1 3/8"	219
EUC PLUS 5004 12 ML	15	SP 15448X ML	400/3/50	11.250	28,13	48	51	4x500	19.000	4	400/3/50	1.088	3,8	70	7/8"	1 5/8"	247
EUC PLUS 5004 20 HL	12	SP 12456X ML	400/3/50	9.000	22,5	56	60	4x500	19.000	4	400/3/50	1.088	3,8	70	7/8"	1 3/8"	241
EUC PLUS 5004 15 ML	20	SP 20456X HL	400/3/50	15.000	37,5	56	60	4x500	19.000	4	400/3/50	1.088	3,8	70	7/8"	1 5/8"	250
EUC PLUS 4502 5 ML	15	SP 15471X ML	400/3/50	11.250	28,15	71	80	4x500	19.000	4	400/3/50	1.088	3,8	70	7/8"	1 5/8"	283

Note:

Test conditions: Ambient temperature: 32 °C. Condensation temperature: 47 °C. Subcooling: 6K.
Noise levels refer to the average value recorded during 24 hours of operation with fans, controlled speed, sound absorption with standard cabinet and compressor jacket (optional items).

EUC PLUS Series

Performance and price table

High, Medium and Low temperature
with compressor SKADI

Refrigerant R-449A



SKADI



Model	Cond. T. (°C)	Performance (W) - Evaporation Temperature (°C)										Price €
		+5 °C	0 °C	-5 °C	-10 °C	-15 °C	-20 °C	-25 °C	-30 °C	-35 °C	-40 °C	
3 ML	30		17.510	14.460	11.840	9.610	7.700	6.100	4.750	3.640	1.840	-
	40		14.840	12.260	10.040	8.140	6.520	5.140	3.990	3.030	1.890	
	50		12.030	9.940	8.140	6.580	5.250	4.120	3.170	2.380	1.850	
5 ML	30		26.200	21.750	17.860	14.540	11.700	9.280	7.250	5.550	4.140	-
	40		22.400	18.530	15.190	12.320	9.870	7.790	6.030	4.580	3.370	
	50		18.440	15.220	12.440	10.000	8.000	6.260	4.800	3.600	2.600	
7 HL	30	31.450	26.250	21.750	17.870	14.540	11.700	9.280	7.250	5.550	4.140	-
	40	26.900	22.400	18.540	15.190	12.320	9.870	7.790	6.040	4.580	3.370	
	50	22.150	18.430	15.220	12.440	10.040	8.000	6.260	4.800	3.600	2.600	
6 ML	30		31.750	26.300	21.650	17.610	14.160	11.220	8.730	6.650	4.930	-
	40		27.150	22.400	18.350	14.850	11.850	9.310	7.180	5.400	3.930	
	50		22.500	18.500	15.080	12.120	9.610	7.480	5.690	4.220	3.010	
9 HL	30	38.000	31.750	26.300	21.650	17.610	14.160	11.220	8.730	6.650	4.930	-
	40	32.600	27.150	22.400	18.350	14.850	11.850	9.310	7.180	5.400	3.930	
	50	27.100	22.500	18.500	15.080	12.120	9.610	7.480	5.690	4.220	3.010	
6 ML	30		34.100	28.150	23.000	18.590	14.820	11.600	8.890	6.630	4.750	-
	40		28.800	23.650	19.180	15.360	12.110	9.350	7.040	5.130	3.560	
	50		23.550	19.180	15.430	12.120	9.480	7.190	5.280	3.710	2.440	
10 HL	30	41.050	34.150	28.150	23.000	18.590	14.810	11.600	8.890	6.630	4.760	-
	40	34.800	28.800	23.650	19.180	15.350	12.100	9.350	7.040	5.140	3.580	
	50	28.600	23.550	19.180	15.420	12.200	9.480	7.190	5.280	3.720	2.470	
8 ML	30		40.850	33.800	27.700	22.450	17.970	14.150	10.930	8.230	6.000	-
	40		34.700	28.600	23.300	18.750	14.870	11.580	8.820	6.520	4.630	
	50		28.500	23.300	18.800	15.040	11.780	9.030	6.740	4.840	3.300	
12 HL	30	49.200	40.950	33.850	27.700	22.450	17.930	14.100	10.870	8.180	5.950	-
	40	41.800	34.700	28.550	23.200	18.760	14.780	11.500	8.750	6.740	4.600	
	50	34.450	28.500	23.300	18.810	14.990	11.730	9.000	6.720	4.850	3.330	
10 ML	30		42.750	38.900	31.750	25.060	20.350	15.900	12.160	9.050	6.500	-
	40		40.000	32.800	26.550	21.200	16.680	12.860	9.660	7.020	4.870	
	50		32.550	26.500	21.250	16.790	13.100	9.830	7.200	5.040	3.300	
15 HL	30	57.000	47.300	38.950	31.700	25.550	20.300	15.800	12.050	8.930	6.370	-
	40	48.200	39.800	32.600	26.400	21.050	16.520	12.710	9.520	6.890	4.760	
	50	39.450	32.400	26.350	21.150	16.680	12.920	9.760	7.140	5.000	3.280	
12 ML	30		55.400	45.700	37.400	30.250	24.150	18.900	14.650	11.050	8.090	-
	40		47.200	38.800	31.550	25.400	20.100	15.640	11.910	8.820	6.290	
	50		38.550	31.550	25.500	20.350	15.950	12.240	9.140	6.580	4.510	
20 HL	30	67.000	55.700	46.000	36.700	30.400	24.300	19.080	14.710	11.080	8.100	-
	40	56.900	47.200	38.800	31.550	25.400	20.100	15.660	11.940	8.860	6.350	
	50	46.800	38.700	31.700	25.650	20.450	16.070	12.380	9.310	6.780	4.740	
15 ML	30		72.700	60.500	50.000	40.900	33.050	26.300	20.600	15.750	11.680	-
	40		62.200	51.700	42.600	34.700	27.900	22.050	17.080	12.890	9.390	
	50		51.400	42.650	35.000	28.350	22.600	17.720	13.570	10.070	7.160	

Note:

Test conditions: Ambient temperature: 32 °C. Condensation temperature: 47 °C. Subcooling: 6K.
Noise levels refer to the average value recorded during 24 hours of operation with fans, controlled speed, sound absorption with standard cabinet and compressor jacket (optional items).

To calculate the power in W, depending on the refrigerant:
R-404A multiply x 1.00. **R-507A** multiply x 0.97. **R-134a** multiply x 0.91. **R-22** multiply x 0.97.

 Use fan + cylinder head injection

 Use fan cylinder head

Condensing Units

EUC PLUS TOP V Series with top discharge without compressor



General characteristics:

EUC PLUS TOP V condensing units are designed for medium and low temperature commercial refrigeration. Specially designed with tropicalized V condenser made of $\varnothing 9.52\text{mm}$ high quality internally grooved copper tubes, low noise operations, easy maintenance, with the best components to ensure final quality control. All condensing units comply with directives 97/23/EC. Pressure equipment (P.E.D.).

Copper tubes with internal grooves:

The inner surface of the copper pipe is grooved with internal grooves to increase the heat exchange efficiency of the surface contact area by 10-12%.

Bluefin fin coating:

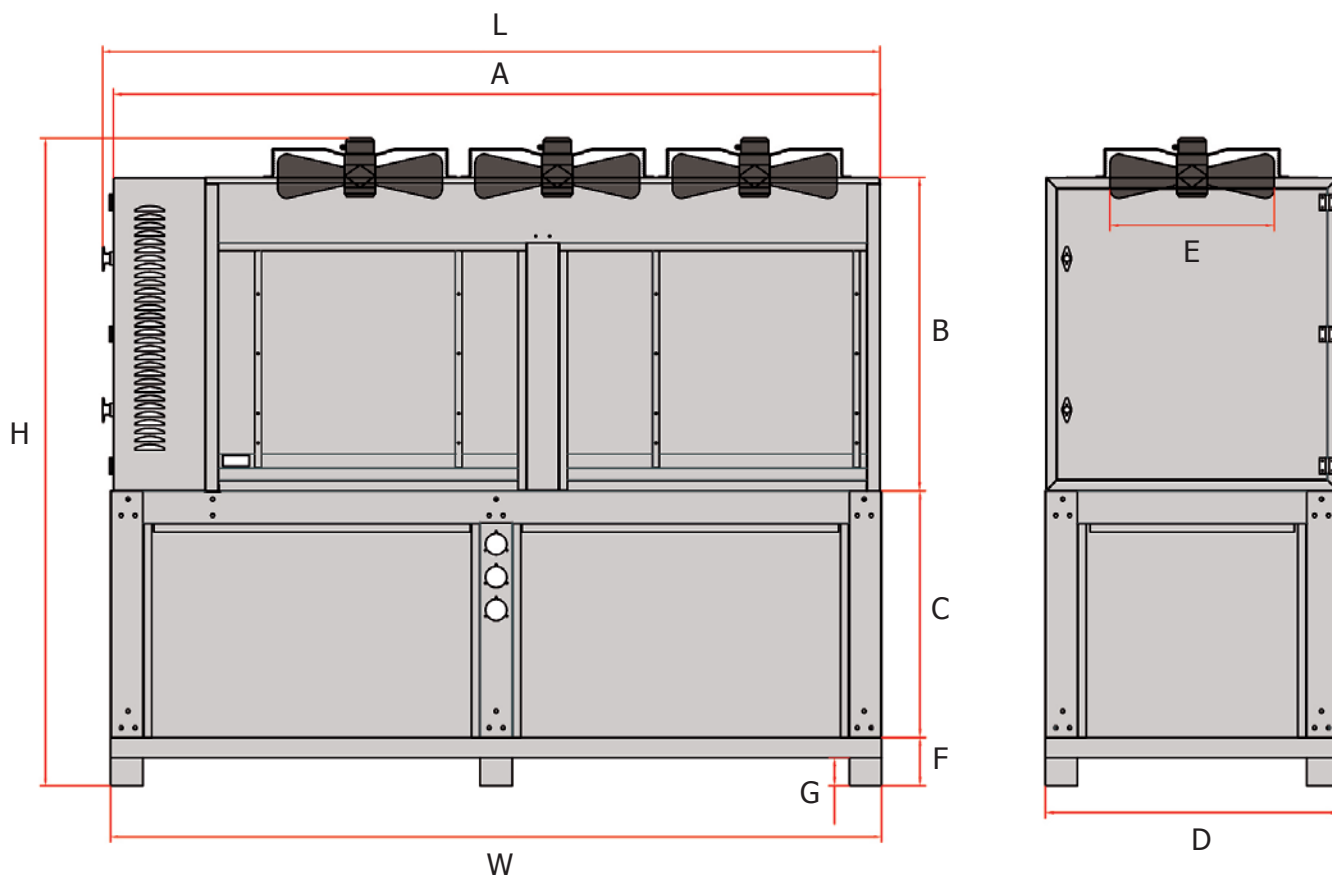
On outdoor units, Bluefin coating helps protect parts from corrosion.

Supported to the casing by means of a "floating" system that avoids any type of contact between the copper tubes and the end support plates, ensuring a long useful life of the condenser without leaks.

Accessories included in the unit:

- Fin package with anti-corrosion treatment
- Tropicalized condenser
- Soundproof condensing unit
- Semi-hermetic piston compressor
- Double pressure switch with automatic reset
- Suction and liquid line dehydrator filter
- Liquid sight glass
- Liquid container
- Approved safety valve
- Ball valve in suction and liquid line
- Liquid separator
- Oil separator
- Electrical control panel
- High pressure switch with automatic reset / Speed control, depending on condensation
- Ziehl-Abegg or Maer axial fan
- Pressure gauges
- Anti-vibration
- Retention valve
- Different gas

Dimensions Data



Model	Condensing Unit Dimensions (mm)									
	L	H	W	A	B	C	D	E Ø	F	G
EUC PLUS TOP V 6002 20 ML	2.145	1.968,8	2.126	2.094	953	750	893	600	147	85
EUC PLUS TOP V 5003 25 ML	2.363	1.968,8	2.344	2.331	953	750	893	500	147	85
EUC PLUS TOP V 5503 30 ML	2.663	1.980	2.644	2.631	953	750	893	550	147	85
EUC PLUS TOP V 6302 40 ML	2.963	2.120,5	2.944	2.931	1.093	750	1.109	630	147	85
EUC PLUS TOP V 7103 50 ML	3.163	2.316,5	3.144	3.131	1.093	900	1.109	710	147	85

Nomenclature

Series	Fans	Power	Temperature
EUC PLUS TOP V 6303 40 ML			
Name	Ø mm.	N.º	HP
			ML: Medium/Low HL: High/Low

EUC PLUS TOP V Series

Electrical data

WITHOUT COMPRESSOR



High, Medium and Low temperature.
R-404A and R-449A Refrigerants

Model	Compressor						Cond. (kW)	Fan axial engine						Ruido Dist=10m dBa	Accesorios tubo		NW Kg
	CV	Tip e	Engine electrical data			Desp. m ³ /h		N.ºxØ	m ³ /h	Poles	Voltage	Absortion			D	A	
			Voltage	W	A						W	A					
EUC PLUS TOP V 6302 25 HL	25	SP 25471X HL	400/3/50	18.750	46,7	71	80	2x630	17.600	6	400/3/50	1.100	3,2	75	7/8"	2 1/8"	353
EUC PLUS TOP V 6302 20 ML	20	SP 20486X ML	400/3/50	15.000	37,5	86	93	2x630	17.600	6	220/1/50	1.100	3,2	75	7/8"	2 1/8"	364
EUC PLUS TOP V 5003 30 HL	30	SP 30486X HL	400/3/50	22.500	56,25	86	93	3x500	14.250	4	400/3/50	831	2,85	70	7/8"	2 1/8"	386
EUC PLUS TOP V 5003 25 ML	25	SP 256106X ML	400/3/50	18.750	46,9	106	118	3x500	14.250	4	400/3/50	831	2,85	70	1 1/8"	2 1/8"	424
EUC PLUS TOP V 5503 35 HL	35	SP 356106X HL	400/3/50	26.250	65,7	106	118	3x550	20.640	4	400/3/50	1.800	3,6	75	1 1/8"	2 1/8"	455
EUC PLUS TOP V 5503 30 ML	30	SP 306129X ML	400/3/50	22.500	56,25	129	133	3x550	20.640	4	400/3/50	1.800	3,6	75	1 1/8"	2 1/8"	434
EUC PLUS TOP V 6303 40 HL	40	SP 406129X HL	400/3/50	30.000	75	129	133	3x630	26.400	6	400/3/50	1.650	4,8	75	1 1/8"	2 1/8"	495
EUC PLUS TOP V 7103 40 ML	40	SP 406154X ML	400/3/50	30.000	75	154	164	3x710	37.448	6	400/3/50	2.200	6,3	75	1 3/8"	2 1/8"	538
EUC PLUS TOP V 7103 50 HL	50	SP 507154X HL	400/3/50	37.500	93,72	154	164	3x710	37.448	6	400/3/50	2.200	6,3	75	1 3/8"	2 1/8"	541

Note:

Noise levels refer to the average steam recorded during 24 hours of operation with fans, controlled speed, sound absorption with standard cabinet and compressor jacket (optional items). Alternative conditions may produce different results.

Main conditions of condensing units:

- Liquid line. Removable filter, viewfinder.
- Anti-vibrators. Discharge and suction line.
- Oil separator.
- Suction separator.

EUC PLUS TOP V Series

Performance and price

WITHOUT COMPRESSOR




High, Medium and Low temperature.
R-404A and R-449A Refrigerants

Model	T. cond. (°C)	Performance (W) - Evaporation Temperature (°C)										Price €
		+5 °C	0 °C	-5 °C	-10 °C	-15 °C	-20 °C	-25 °C	-30 °C	-35 °C	-40 °C	
25 HL	30	86.000	72.100	59.900	49.400	40.300	32.500	25.750	20.050	15.230	11.180	-
	40	73.600	61.500	51.000	41.900	34.000	27.200	21.400	16.470	12.310	8.830	
	50	60.700	50.700	41.900	34.250	27.600	21.900	17.040	12.910	9.140	6.500	
20 ML	30		83.800	69.900	57.800	47.350	38.350	30.650	24.100	18.540	11.180	-
	40		71.800	59.800	49.350	40.300	32.550	25.900	20.200	15.420	6.990	
	50		59.300	49.300	40.600	33.050	26.550	21.000	16.290	12.330	6.760	
30 HL	30	98.700	82.700	68.800	56.800	46.350	37.400	29.700	23.150	17.640	13.020	-
	40	84.400	70.600	58.600	48.200	39.200	31.400	24.800	19.160	14.410	10.450	
	50	69.400	57.900	48.000	39.300	31.800	25.350	19.820	15.140	11.210	9.950	
25 ML	30		106.700	88.900	73.400	60.100	48.600	38.750	30.350	23.300	17.320	-
	40		91.300	75.900	62.600	51.000	41.000	32.450	25.150	19.020	13.380	
	50		75.700	62.800	51.500	41.750	33.300	26.100	19.970	14.800	10.490	
35 HL	30	126.200	105.700	88.000	72.500	59.200	47.750	37.900	29.550	22.500	16.560	-
	40	106.000	90.300	74.900	61.500	50.000	40.050	31.500	24.250	18.140	13.030	
	50	89.300	74.500	61.600	50.400	40.650	32.350	25.100	18.970	13.840	9.570	
30 ML	30		122.900	102.700	85.200	70.000	57.000	45.750	36.200	28.100	21.300	-
	40		105.200	87.900	72.900	59.800	48.550	38.900	30.600	23.600	17.660	
	50		87.200	72.800	60.300	49.400	39.950	31.800	24.850	18.920	13.930	
40 HL	30	143.700	120.400	100.300	82.800	67.700	54.700	43.500	34.050	26.000	19.280	-
	40	122.200	102.400	85.200	70.200	57.200	46.000	36.400	28.200	21.250	15.410	
	50	100.400	84.100	69.900	57.400	46.550	37.200	29.100	22.200	16.390	11.490	
40 ML	30		148.100	123.600	102.400	84.100	68.300	54.700	43.100	33.300	25.050	-
	40		126.600	105.700	87.500	71.800	58.100	46.350	36.250	22.400	20.450	
	50		104.400	87.200	72.200	59.100	47.650	37.750	29.250	21.900	15.660	
50 HL	30	174.500	146.400	122.000	100.800	82.500	66.700	53.200	41.650	31.900	23.700	-
	40	148.560	124.600	103.800	85.700	69.900	56.300	44.600	34.600	26.100	18.880	
	50	121.700	102.200	85.100	70.100	57.100	45.700	35.850	27.400	20.150	13.970	

Note:

Test conditions: Ambient temperature: 32 °C. Condensation temperature: 47 °C. Subcooling: 6K.
Noise levels refer to the average value recorded during 24 hours of operation with fans, controlled speed, sound absorption with standard cabinet and compressor jacket (optional items).

 Use fan + cylinder head injection

To calculate the power in W, depending on the refrigerant:
R-404A multiply x 1.00. R-507A multiply x 0.97. R-134a multiply x 0.91. R-22 multiply x 0.97.

 Use fan cylinder head

EUCO Series

Condensing Units with SKADI compressor

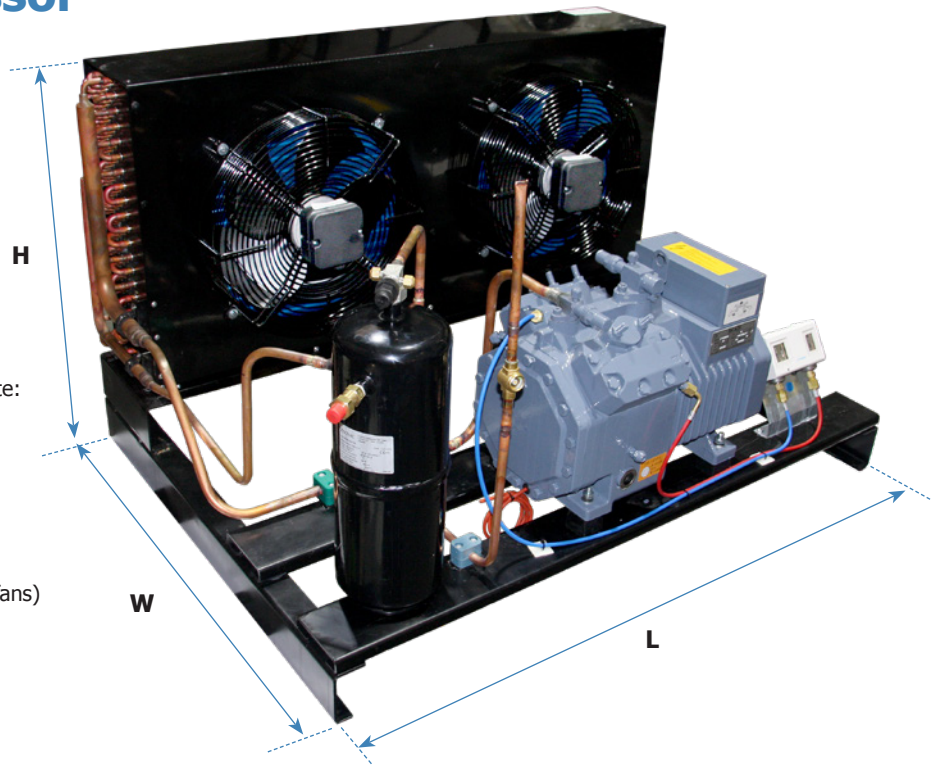
R-449A

Semi-hermetic condensed by air, equipped with line liquid, pressure switch and extras

Characteristics:

The semi-hermetic helical equipped units incorporate:

- Double high/low pressure switch KP15
- ERP helical air condenser
- Liquid container
- Security valve
- Liquid filter
- Viewfinder
- Capacitor for condensation control (single-phase fans) or 1 PA (three-phase fans)
- PDA (with oil pump)
- Crankcase resistance.



Technical and electrical data

Model	Compressor		Condensator			Condensator Fans				Receiver (L)	Measures (mm)			Weight (Kg)
	CV	Model	Model	Sup. m ²	Power DT15 (kW)	Nº/Ø (mm)	m ³ /h	Voltage	Amp.		L	W	H	
EUCO 318 ML	3	SP 03418X ML	ECA 400 E	38	12,88	2 x 350	4.520	220/1/50	1,20	7	1.185	1.050	750	164
EUCO 527 ML	5	SP 05427X ML	ECA 400 E	38	12,88	2 x 350	4.520	220/1/50	1,20	7	1.185	1.050	750	164
EUCO 727 HL	7	SP 07427X HL	ECA 500 T	52	19,25	2 x 400	6.600	220/1/50	1,64	7	1.385	1.050	800	176
EUCO 633 ML	6	SP 06433X ML	ECA 500 S	52	23,45	2 x 450	12.000	220/1/50	2,20	8	1.385	1.050	800	191
EUCO 933 HL	9	SP 09433X HL	ECA 500 S	52	23,45	2 x 450	12.000	220/1/50	2,20	8	1.385	1.050	800	191
EUCO 634 ML	6	SP 06434X ML	ECA 500 S	52	23,45	2 x 450	12.000	220/1/50	2,20	8	1.385	1.050	800	239
EUCO 1034 HL	10	SP 10434X HL	ECA 500 S	52	23,45	2 x 450	12.000	220/1/50	2,20	8	1.385	1.050	800	239
EUCO 841 ML	8	SP 08441X ML	ECA 600 T	57	33,25	2 x 500	15.500	220/1/50	3,70	10	1.385	1.050	800	294
EUCO 1241 HL	12	SP 12441X HL	ECA 600 T	57	33,25	2 x 500	15.500	220/1/50	3,70	10	1.385	1.050	800	294
EUCO 1048 ML	10	SP 10448X ML	ECA 600 T	57	33,25	2 x 500	15.500	220/1/50	3,70	12	1.385	1.050	800	294
EUCO 1548 HL	15	SP 15448X HL	ECA 600 T	57	33,25	2 x 500	15.500	220/1/50	3,70	12	1.385	1.050	800	294
EUCO 1256 ML	12	SP 12456X ML	ECA 286	110	58,00	2 x 630	20.500	400/3/50	3,20	16	1.570	1.050	1.000	312
EUCO 2056 HL	20	SP 20456X HL	ECA 287	110	58,00	2 x 630	20.500	400/3/50	3,20	16	1.570	1.050	1.000	312
EUCO 1571 ML	15	SP 15471X ML	ECB 20 HPCD	123	72,98	2 x 710	24.380	400/3/50	4,20	18	2.110	1.050	1.000	365
EUCO 2571 HL	25	SP 25471X HL	ECB 20 HPCD	123	72,98	2 x 710	24.380	400/3/50	4,20	18	2.110	1.050	1.000	365
EUCO 2086 ML	20	SP 20486X ML	ECB 20 HPCD	123	72,98	2 x 710	24.380	400/3/50	4,20	20	2.110	1.050	1.000	437
EUCO 3086 HL	30	SP 30486X HL	ECB 20 HPCD	123	72,98	2 x 710	24.380	400/3/50	4,20	20	2.110	1.050	1.000	437
EUCO 25106 ML	25	SP 256106X ML	ECB 25 HPCD	133	76,15	2 x 710	24.380	400/3/50	4,20	30	2.350	1.250	1.350	490
EUCO 35106 HL	35	SP 356106X HL	ECB 25 HPCD	133	76,15	2 x 710	24.380	400/3/50	4,20	30	2.350	1.250	1.350	490
EUCO 30129 ML	30	SP 306129X ML	ECB 30 HPCD	195	83,22	2 x 800	35.833	400/3/50	5,60	40	2.350	1.250	1.350	570
EUCO 40129 HL	40	SP 406129X HL	ECB 30 HPCD	195	83,22	2 x 800	35.833	400/3/50	5,60	40	2.350	1.250	1.350	570
EUCO 40154 ML	40	SP 406154X ML	ECB 40 HPCD	288	127	2 x 800	35.833	400/3/50	5,60	50	2.580	1.250	1.350	640
EUCO 50154 HL	50	SP 506154X HL	ECB 40 HPCD	288	127	2 x 800	35.833	400/3/50	5,60	50	2.580	1.250	1.350	640


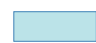
Performance High - Medium - Low temperature

Model Compressor	Hp	T. cond. (°C)	Performance (W) - Evaporation Temperature (°C)										Price €
			+5 °C	0 °C	-5 °C	-10 °C	-15 °C	-20 °C	-25 °C	-30 °C	-35 °C	-40 °C	
EUCO 318 ML SP 03418 X ML	3	30		17.510	14.460	11.840	9.610	7.700	6.100	4.750	3.640	1.840	-
		40		14.840	12.260	10.040	8.140	6.520	5.140	3.990	3.030	1.890	
		50		12.030	9.940	8.140	6.580	5.250	4.120	3.170	2.380	1.850	
EUCO 527 ML SP 05427 X ML	5	30		26.200	21.750	17.860	14.540	11.700	9.280	7.250	5.550	4.140	-
		40		22.400	18.530	15.190	12.320	9.870	7.790	6.030	4.580	3.370	
		50		18.440	15.220	12.440	10.000	8.000	6.260	4.800	3.600	2.600	
EUCO 727 HL SP 07427 X ML	7	30	31.450	26.250	21.750	17.870	14.540	11.700	9.280	7.250	5.550	4.140	-
		40	26.900	22.400	18.540	15.190	12.320	9.870	7.790	6.040	4.580	3.370	
		50	22.150	18.430	15.220	12.440	10.040	8.000	6.260	4.800	3.600	2.600	
EUCO 633 ML SP 06433 X ML	6	30		31.750	26.300	21.650	17.610	14.160	11.220	8.730	6.650	4.930	-
		40		27.150	22.400	18.350	14.850	11.850	9.310	7.180	5.400	3.930	
		50		22.500	18.500	15.080	12.120	9.610	7.480	5.690	4.220	3.010	
EUCO 933 HL SP 09433 X HL	9	30	38.000	31.750	26.300	21.650	17.610	14.160	11.220	8.730	6.650	4.930	-
		40	32.600	27.150	22.400	18.350	14.850	11.850	9.310	7.180	5.400	3.930	
		50	27.100	22.500	18.500	15.080	12.120	9.610	7.480	5.690	4.220	3.010	
EUCO 634 ML SP 06434 X ML	6	30		34.100	28.150	23.000	18.590	14.820	11.600	8.890	6.630	4.750	-
		40		28.800	23.650	19.180	15.360	12.110	9.350	7.040	5.130	3.560	
		50		23.550	19.180	15.430	12.120	9.480	7.190	5.280	3.710	2.440	
EUCO 1034 HL SP 10434 X HL	10	30	41.050	34.150	28.150	23.000	18.590	14.810	11.600	8.890	6.630	4.760	-
		40	34.800	28.800	23.650	19.180	15.350	12.100	9.350	7.040	5.140	3.580	
		50	28.600	23.550	19.180	15.420	12.200	9.480	7.190	5.280	3.720	2.470	
EUCO 841 ML SP 08441 X ML	8	30		40.850	33.800	27.700	22.450	17.970	14.150	10.930	8.230	6.000	-
		40		34.700	28.600	23.300	18.750	14.870	11.580	8.820	6.520	4.630	
		50		28.500	23.300	18.800	15.040	11.780	9.030	6.740	4.840	3.300	
EUCO 1241 HL SP 12441 X HL	12	30	49.200	40.950	33.850	27.700	22.450	17.930	14.100	10.870	8.180	5.950	-
		40	41.800	34.700	28.550	23.200	18.760	14.780	11.500	8.750	6.740	4.600	
		50	34.450	28.500	23.300	18.810	14.990	11.730	9.000	6.720	4.850	3.330	
EUCO 1048 ML SP 10448 X ML	10	30		42.750	38.900	31.750	25.060	20.350	15.900	12.160	9.050	6.500	-
		40		40.000	32.800	26.550	21.200	16.680	12.860	9.660	7.020	4.870	
		50		32.550	26.500	21.250	16.790	13.100	9.830	7.200	5.040	3.300	
EUCO 1548 HL SP 15448 X HL	15	30	57.000	47.300	38.950	31.700	25.550	20.300	15.800	12.050	8.930	6.370	-
		40	48.200	39.800	32.600	26.400	21.050	16.520	12.710	9.520	6.890	4.760	
		50	39.450	32.400	26.350	21.150	16.680	12.920	9.760	7.140	5.000	3.280	
EUCO 1256 ML SP 12456 X ML	12	30		55.400	45.700	37.400	30.250	24.150	18.900	14.650	11.050	8.090	-
		40		47.200	38.800	31.550	25.400	20.100	15.640	11.910	8.820	6.290	
		50		38.550	31.550	25.500	20.350	15.950	12.240	9.140	6.580	4.510	
EUCO 2056 HL SP 20456 X HL	20	30	67.000	55.700	46.000	36.700	30.400	24.300	19.080	14.710	11.080	8.100	-
		40	56.900	47.200	38.800	31.550	25.400	20.100	15.660	11.940	8.860	6.350	
		50	46.800	38.700	31.700	25.650	20.450	16.070	12.380	9.310	6.780	4.740	
EUCO 1571 ML SP 15471 X HL	15	30		72.700	60.500	50.000	40.900	33.050	26.300	20.600	15.750	11.680	-
		40		62.200	51.700	42.600	34.700	27.900	22.050	17.080	12.890	9.390	
		50		51.400	42.650	35.000	28.350	22.600	17.720	13.570	10.070	7.160	
EUCO 2571 HL SP 25471 X HL	25	30	86.000	72.100	59.900	49.400	40.300	32.500	25.750	20.050	15.230	11.180	-
		40	73.600	61.500	51.000	41.900	34.000	27.200	21.400	16.470	12.310	8.830	
		50	60.700	50.700	41.900	34.250	27.600	21.900	17.040	12.910	9.140	6.500	
EUCO 2086 ML SP 20486 X ML	20	30		83.800	69.900	57.800	47.350	38.350	30.650	24.100	18.540	11.180	-
		40		71.800	59.800	49.350	40.300	32.550	25.900	20.200	15.420	6.990	
		50		59.300	49.300	40.600	33.050	26.550	21.000	16.290	12.330	6.760	
EUCO 3086 HL SP 30486 X HL	30	30	98.700	82.700	68.800	56.800	46.350	37.400	29.700	23.150	17.640	13.020	-
		40	84.400	70.600	58.600	48.200	39.200	31.400	24.800	19.160	14.410	10.450	
		50	69.400	57.900	48.000	39.300	31.800	25.350	19.820	15.140	11.210	9.950	
EUCO 25106 ML SP 256106 X ML	25	30		106.700	88.900	73.400	60.100	48.600	38.750	30.350	23.300	17.320	-
		40		91.300	75.900	62.600	51.000	41.000	32.450	25.150	19.020	13.380	
		50		75.700	62.800	51.500	41.750	33.300	26.100	19.970	14.800	10.490	
EUCO 35106 HL SP 356106 X HL	35	30	126.200	105.700	88.000	72.500	59.200	47.750	37.900	29.550	22.500	16.560	-
		40	106.000	90.300	74.900	61.500	50.000	40.050	31.500	24.250	18.140	13.030	
		50	89.300	74.500	61.600	50.400	40.650	32.350	25.100	18.970	13.840	9.570	
EUCO 30129 ML SP 306129 X ML	30	30		122.900	102.700	85.200	70.000	57.000	45.750	36.200	28.100	21.300	-
		40		105.200	87.900	72.900	59.800	48.550	38.900	30.600	23.600	17.660	
		50		87.200	72.800	60.300	49.400	39.950	31.800	24.850	18.920	13.930	
EUCO 40129 HL SP 406129 X HL	40	30	143.700	120.400	100.300	82.800	67.700	54.700	43.500	34.050	26.000	19.280	-
		40	122.200	102.400	85.200	70.200	57.200	46.000	36.400	28.200	21.250	15.410	
		50	100.400	84.100	69.900	57.400	46.550	37.200	29.100	22.200	16.390	11.490	
EUCO 40154 ML SP 406154 X ML	40	30		148.100	123.600	102.400	84.100	68.300	54.700	43.100	33.300	25.050	-
		40		126.600	105.700	87.500	71.800	58.100	46.350	36.250	22.400	20.450	
		50		104.400	87.200	72.200	59.100	47.650	37.750	29.250	21.900	15.660	
EUCO 50154 HL SP 506154 X HL	50	30	174.500	146.400	122.000	100.800	82.500	66.700	53.200	41.650	31.900	23.700	-
		40	148.560	124.600	103.800	85.700	69.900	56.300	44.600	34.600	26.100	18.880	
		50	121.700	102.200	85.100	70.100	57.100	45.700	35.850	27.400	20.150	13.970	

Test conditions: Ambient temperature: 32 °C. Condensation temperature: 47 °C. Subcooling: 6K.

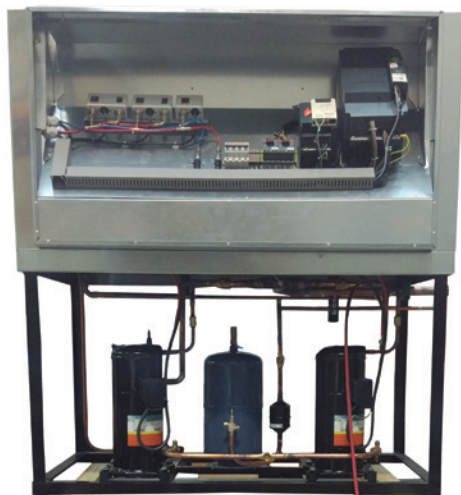
Noise levels refer to the average value recorded during 24 hours of operation with fans, controlled speed, sound absorption with standard cabinet and compressor jacket (optional items).

Calculation in W: R-404A multiply x 1.00. R-507A multiply x 0.97. R-134a multiply x 0.91. R-22 multiply x 0.97.

 Use fan + cylinder head injection
 Use fan cylinder head

JODRY System

Variable speed Inverter Application



General characteristics:

- Compressor speed regulation through frequency regulator.
- Fan speed regulation with speed regulator.
- Compact and pre-regulated assembly.
- Maximum performance and minimum consumption.
- Maximum protection.
- Manual and automatic.
- Pressure regulation.

Applicable to standard compressors, preferably scroll and rotary as better performance is obtained. In piston compressors we must adhere to the manufacturers' conditions regarding minimum revolutions.

CHECK PRICES AND CAPACITIES.

Accessories included in the unit:

The JODRY System equipment is incorporated into the machine of sufficient power and includes:

- Inverter compressor regulator.
- Fan speed regulator.
- Pressure transducer.
- Safety and maneuver pressure switches.
- Auto-0-manual selector.
- Electrical control panel with disconnecter.
- Machine regulation.

Optional gadgets:

A PC connection cable can be supplied for monitoring, using a program (free of charge) that is downloaded from the supplier.

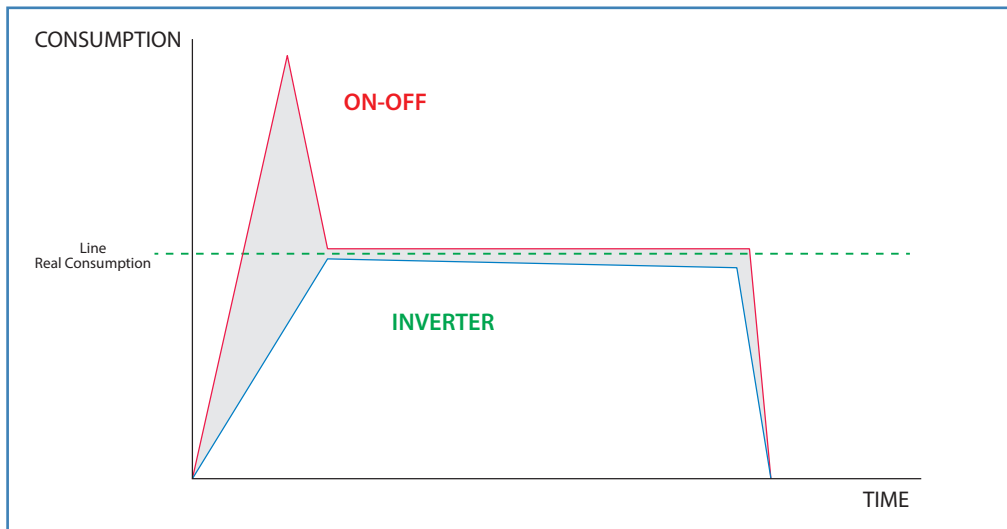
Remote control over the internet.

Calculations made based on:

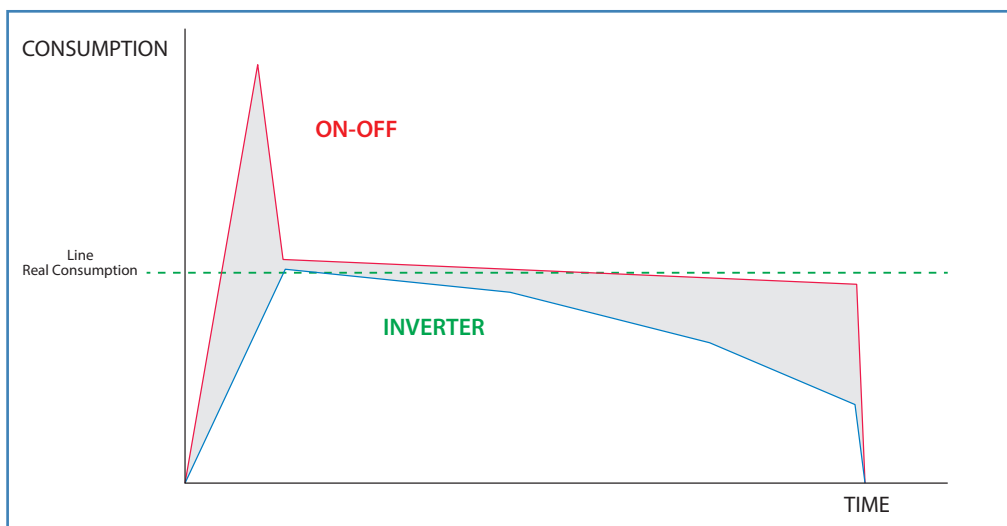
• Compressor Scroll SR45B-B1-101 2,5 Hp, Threephase 220 V, 60 Hz	13,3 Amp
• Centrifugal fan 10/10 Monophase 220 V, 50/60 Hz	4,5 Amp
Nominal consumption	17,8 Amp
Real consumption	12,0 Amp

Consumption measured with Variator			
Hz	Compressor (Amp)	Compressor + Fan (Amp)	Saving
30	5,7	6,5	-50 %
40	6,8	8,1	-35 %
50	7,5	9	-25 %
60	10	12,2	0 %

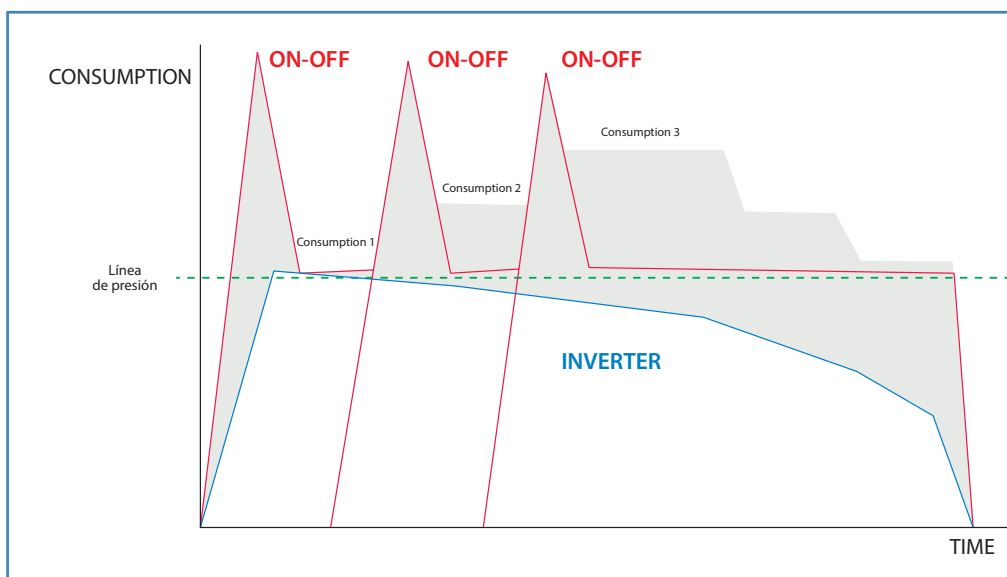
A service



Various services



**Various services
Various compressors
An Inverter**



JODRY System

Cooling capacities R-404A

Speed variation powers by frequency W/h

SKADI Model	Condensation Temperature (°C)	Evaporation Temperature (°C)									
		-30		-25		-20		-15		-10	
		30 Hz	60 Hz	30 Hz	60 Hz	30 Hz	60 Hz	30 Hz	60 Hz	30 Hz	60 Hz
2 Hp	60					662	1.985	874	2.622	1.007	3.023
	50	608	1.824	649	1.948	753	2.259	947	2.842	1.224	3.672
	40	644	1.934	800	2.400	1.054	3.164	1.363	4.089	1.717	5.150
	30	816	2.450	1.131	3.394	1.471	4.413	1.828	5.484	2.193	6.580
2,5 Hp	60					827	2.481	1.092	3.277	1.260	3.779
	50	760	2.280	811	2.435	941	2.824	1.184	3.552	1.530	4.590
	40	805	2.417	1.000	3.001	1.318	3.955	1.704	5.111	2.146	6.438
	30	1.021	3.063	1.414	4.243	1.839	5.517	2.285	6.855	2.742	8.226
3 Hp	60					900	2.701	1.189	3.568	1.372	4.115
	50	827	2.483	884	2.652	1.025	3.075	1.289	3.868	1.666	4.998
	40	877	2.631	1.089	3.267	1.435	4.306	1.855	5.565	2.337	7.010
	30	1.111	3.335	1.540	4.620	2.002	6.007	2.488	7.464	2.986	8.957
4 Hp	60					1.286	3.859	1.699	5.098	1.960	5.879
	50	1.182	3.546	1.262	3.788	1.464	4.393	1.842	5.526	2.380	7.140
	40	1.253	3.759	1.556	4.668	2.050	6.152	2.650	7.950	3.338	10.014
	30	1.588	4.764	2.200	6.600	2.861	8.582	3.554	10.663	4.265	12.795
5 Hp	60					1.580	4.741	2.088	6.263	2.408	7.223
	50	1.452	4.357	1.551	4.654	1.799	5.397	2.263	6.789	2.924	8.771
	40	1.539	4.619	1.912	5.735	2.519	7.558	3.256	9.767	4.101	12.302
	30	1.951	5.854	2.703	8.108	3.514	10.543	4.367	13.100	5.240	15.720
6 Hp	60					1.874	5.623	2.476	7.428	2.856	8.567
	50	1.722	5.168	1.840	5.520	2.134	6.401	2.684	8.052	3.468	10.403
	40	1.826	5.478	2.267	6.801	2.988	8.964	3.861	11.584	4.864	14.591
	30	2.314	6.943	3.206	9.617	4.168	12.505	5.179	15.537	6.215	18.645
8 Hp	60					2.380	7.140	3.144	9.431	3.626	10.877
	50	2.187	6.561	2.336	7.009	2.709	8.128	3.408	10.223	4.403	13.208
	40	2.318	6.955	2.879	8.636	3.794	11.382	4.903	14.708	6.175	18.526
	30	2.938	8.815	4.070	12.210	5.292	15.877	6.576	19.727	7.891	23.673
10 Hp	60					3.172	9.515	4.190	12.569	4.332	14.495
	50	2.914	8.744	3.114	9.341	3.610	10.831	4.542	13.625	5.868	17.503
	40	3.089	9.269	3.836	11.509	5.056	15.168	6.534	19.601	8.230	24.690
	30	3.916	11.748	5.424	16.273	7.053	21.159	8.763	26.290	10.516	31.548
12 Hp	60					3.700	11.100	4.888	14.663	5.637	16.910
	50	3.400	10.201	3.632	10.897	4.212	12.636	5.298	15.894	6.845	20.535
	40	3.604	10.813	4.475	13.426	5.898	17.695	7.622	22.866	9.601	28.802
	30	4.568	13.704	6.328	19.983	8.228	24.684	10.223	30.669	12.268	36.803

Capacity @ 20 °C gas return temperature, No Subcooling.

Capacity @ 11.1 °C Superheating, Not Subcooling.

JODRY System

Cooling capacities R-404A

Speed variation powers by frequency W/h

SKADI Model	Condensation Temperature (°C)	Evaporation Temperature (°C)							
		-5		0		5		10	
		30 Hz	60 Hz	30 Hz	60 Hz	30 Hz	60 Hz	30 Hz	60 Hz
2 Hp	60	1.253	3.759	1.600	4.802	2.043	6.130	2.572	7.717
	50	1.575	4.724	1.992	5.975	2.467	7.400	2.191	8.974
	40	2.108	6.324	2.528	7.585	2.970	8.911	3.425	10.275
	30	2.560	7.679	2.919	8.756	3.262	9.785	3.581	10.743
2,5 Hp	60	1.566	4.698	2.001	6.003	2.554	7.662	3.215	9.647
	50	1.968	5.905	2.490	7.469	3.083	9.250	3.651	11.217
	40	2.635	7.905	3.161	9.482	3.713	11.138	4.281	12.844
	30	3.200	9.599	3.648	10.944	4.077	12.232	4.476	13.429
3 Hp	60	1.705	5.116	2.179	6.536	2.781	8.343	3.501	10.504
	50	2.143	6.430	2.711	8.133	3.357	10.072	4.071	12.214
	40	2.869	8.607	3.442	10.325	4.043	12.128	4.662	13.985
	30	3.484	10.452	3.972	11.917	4.440	13.319	4.874	14.622
4 Hp	60	2.436	7.308	3.112	9.337	3.973	11.919	5.002	15.006
	50	3.062	9.185	3.873	11.618	4.796	14.389	5.816	17.449
	40	4.099	12.296	4.917	14.750	5.776	17.327	6.660	19.979
	30	4.977	14.932	5.675	17.025	6.342	19.027	6.963	20.889
5 Hp	60	2.998	8.979	3.824	11.472	4.881	14.644	6.145	18.436
	50	3.762	11.286	4.758	14.274	5.892	17.677	7.146	21.438
	40	5.036	15.017	6.040	18.121	7.095	21.287	8.182	24.546
	30	6.115	18.345	6.972	20.916	7.792	23.375	8.555	25.664
6 Hp	60	3.550	10.649	4.635	13.606	5.789	17.368	7.289	21.866
	50	4.462	13.385	5.643	16.930	6.989	20.966	8.475	25.426
	40	5.972	17.917	7.164	21.492	8.416	25.247	9.704	29.113
	30	7.255	21.758	8.269	24.807	9.242	27.724	10.146	30.439
8 Hp	60	4.507	13.521	5.758	17.275	7.350	22.051	9.254	27.762
	50	5.665	16.995	7.165	21.495	8.873	26.620	10.761	32.282
	40	7.583	22.749	9.096	27.288	10.685	32.055	12.321	36.963
	30	9.208	27.625	10.499	31.497	11.733	35.200	12.882	38.647
10 Hp	60	6.006	18.019	7.674	23.022	9.796	29.388	12.333	36.999
	50	7.550	22.650	9.549	28.646	11.825	35.476	14.341	43.023
	40	10.106	30.318	12.122	36.367	14.240	42.721	16.420	49.261
	30	12.272	36.816	13.992	41.976	15.637	46.912	17.168	51.505
12 Hp	60	7.007	21.021	8.952	26.857	11.428	34.283	14.387	43.162
	50	8.807	26.422	11.139	33.418	13.795	41.386	16.730	50.189
	40	11.789	35.367	14.141	42.424	16.612	49.836	19.155	57.466
	30	14.316	42.949	16.323	48.968	18.242	54.726	20.028	60.084

Capacity @ 20 °C gas return temperature, No Subcooling.

Capacity @ 11.1 °C Superheating, Not Subcooling.



EasyCold
Productos de refrigeración